

USER MANUAL



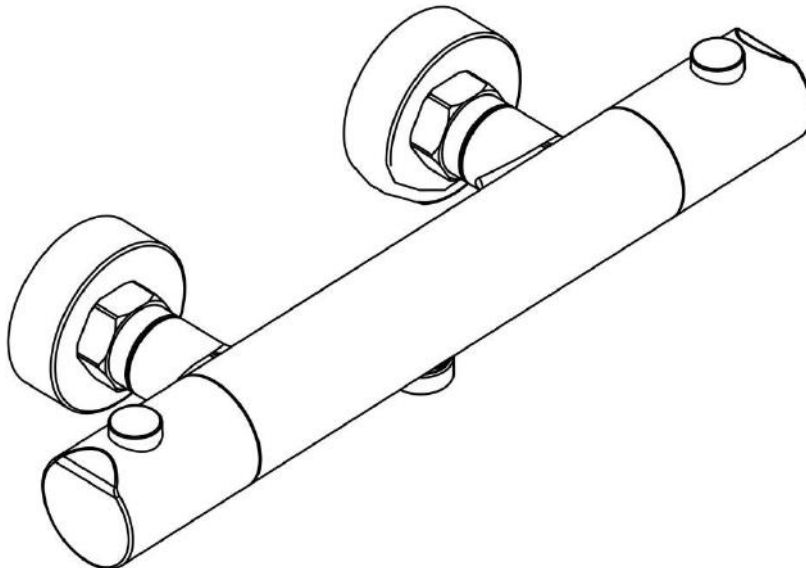
Thank you for choosing Better Bathrooms.
Please read this manual before installing your product
and keep for future reference.

better 
bathrooms

Product

ARIMB016 - Arissa Matt Black Bar Valve

ARIBB018 - Arissa Brushed Brass Bar Valve



- **Single-person assembly**
- **Tools required**
- **We always recommend using professional tradespeople to install your product**

V3_6/9/2022

Congratulations on your purchase

And welcome to our growing gang of savvy shoppers

We're on a mission to bring you extraordinary bathroom products, for less. From modern to traditional style ceramics, plus the gorgeous fixtures, fittings and furniture to match. So, you can fall in love with your space every single day.

As one of the UK's largest independent bathroom stores, we've received countless awards; including the National Business Awards UK, the Digital Entrepreneur Awards and being placed on The Sunday Times Fast Track 100.

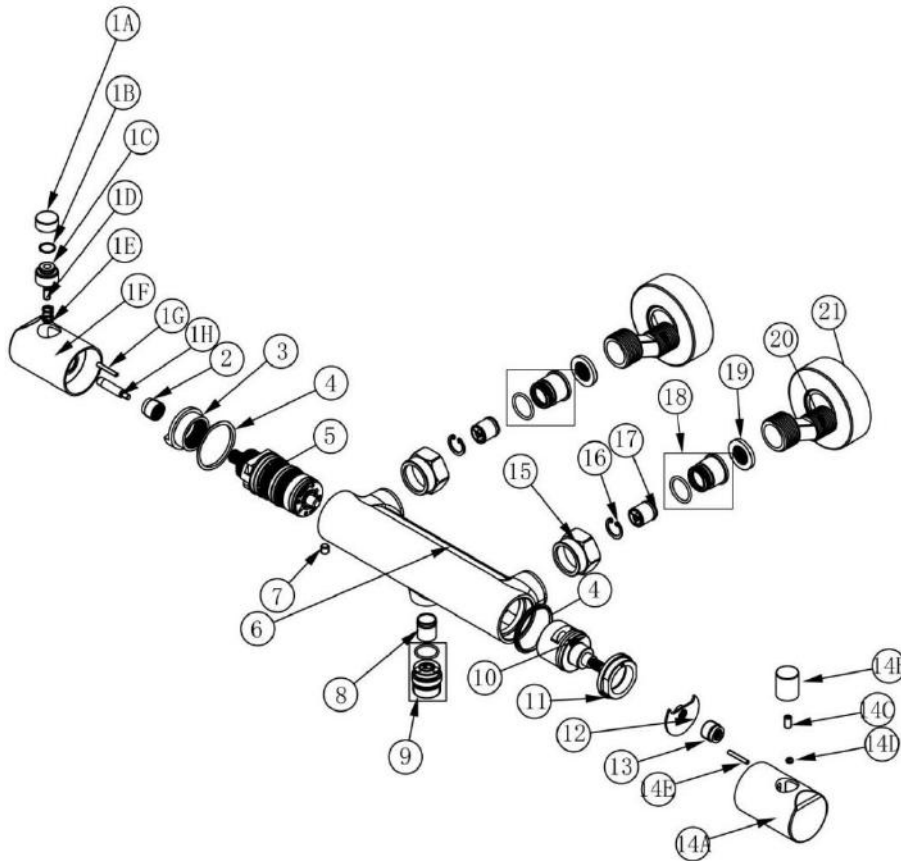
We hope your new product goes above and beyond your expectations. However, should any problems occur, please:

- log in to your account and contact our customer services team via your self-serve portal – betterbathrooms.com/Account/Login
- contact us via betterbathrooms.com/contact-us

Important information

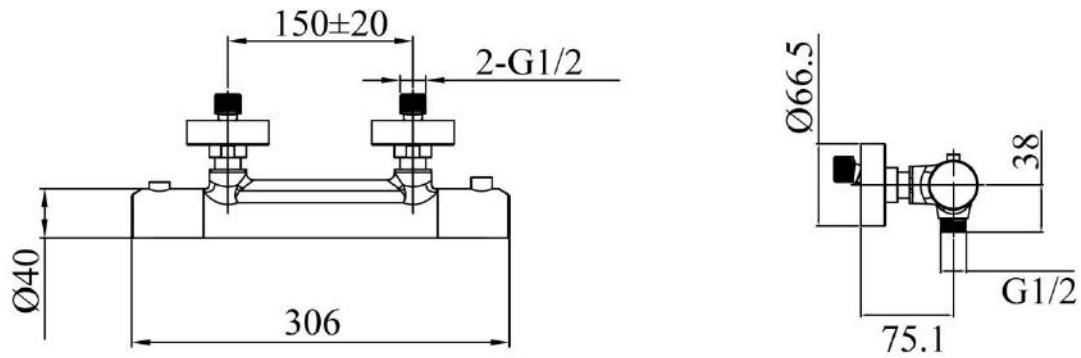
- Please read these instructions thoroughly and retain for future reference
- Installation must be carried out in compliance with The Water Fittings Regulations and Scottish Water Byelaws.
- The system must be flushed prior to installation, else it might clog the filter and the following phenomenon occurs: discharged water volume is small, or temperature cannot be controlled well.
- Minimum and Maximum working pressure : 1 - 5 bar
- Pressures must be equal for optimum performance
- Please do not connect hot and cold water supply lines in reverse. This could result in hot water flowing from cold line and cause scalding.
- The feed-water temperature of water shall not exceed 85°C. Exceeding 85° may cause scalding, the service life of faucets might be shortened, or the faucet might be damaged.
- After installation, please make sure the faucet is securely mounted and checked for leaks.

Parts / Diagrams



No	Description	No	Description
1A	Safety Button	10	Divertor cartridge
1B	O-ring	11	Locknut
1C	Lever	12	Positioning gasket
1D	Grub screw	13	Cap
1E	Spring	14A	Switch handle
1F	Temperature control handle	14B	Button
1G	Grub screw	14C	Grub screw
1H	Positioning rod	14E	Grub screw
2	Cap	15	Nut
3	Positioning ring	16	Lock ring
4	Plastic ring	17	Non-return valve
5	Thermostatic cartridge	18	Connector assembled
6	Main body assembled	19	Rubber gasket with filter
7	Grub screw	20	Eccentric foot
8	Non-return valve	21	Flange
9	Connector assembled		

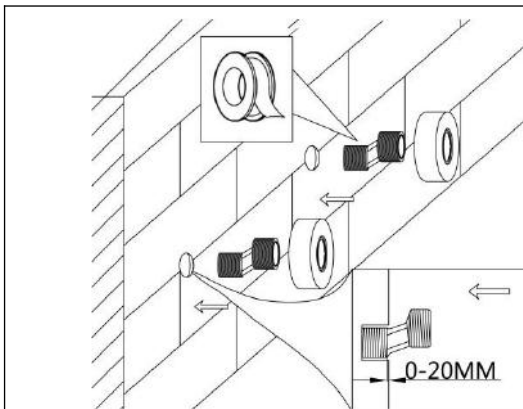
Dimensions



Tools required

- Spanner
- Hammer
- Drill and bit
- PTFE seal tape

Installation

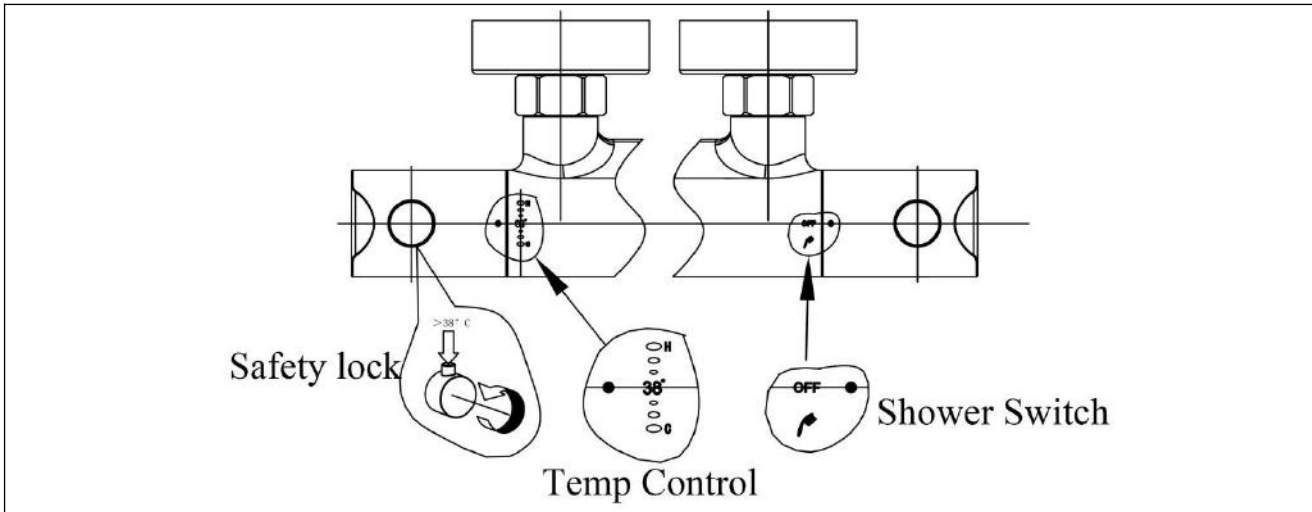


Mount the eccentric feet(cold water side and hot water side).

The end surfaces of the right and left eccentric feet should be horizontal and flush with the wall surface.

	<p>Mount the mixer body to the eccentric feet. Cold supply must be on the right and hot supply on the left.</p> <p>Tighten the cap nuts on hot water side and cold water side alternatively while holding the product horizontal.</p> <p>Make sure the rubber washer with filter are included in the nuts, and the bulge side of filter should be opposite to the direction of eccentric feet - refer to the left.</p>
	<p>Turn on water supply and check for leaks.</p>

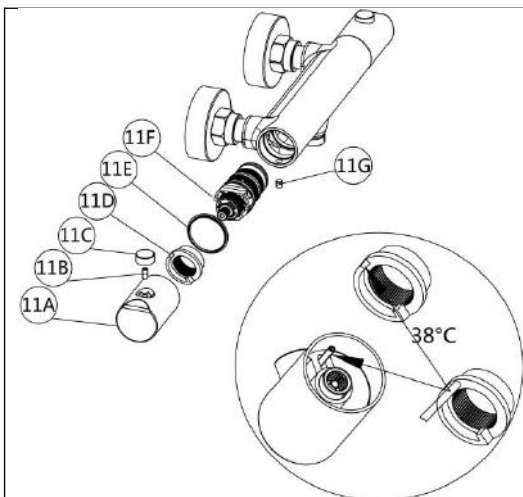
Operation



Troubleshooting

Issues	Inspection Item
Poor water flow	<ul style="list-style-type: none"> • Is there dust with filter net of thermostatic cartridge (5) • Is there debris inside the non-return valve(8&17) • Is there dust with filter net of rubber washer(19)
Water leak	<ul style="list-style-type: none"> • Is there damage or dirt within the O-rings of the thermostatic cartridge (5) • Is there dust with filter net of thermostatic cartridge (5) • Is there damage or dirt with O-ring of connector(9) • Is there damage or dirt within the O-rings of the divertor cartridge (10) • Is the locknut(11) fully tighten • Is the nut(15) fully tightened • Is there damage or dirt with O-ring of non-return valves(8&17) • Is the connector(18)loose • Is there damage or dirt with rubber washer(19)
Handle loose	<ul style="list-style-type: none"> • Is the screw(1D,14C) inside the handle fully tightened • Is the locknut(11) on top of cartridge fully tightened
Only hot water	<ul style="list-style-type: none"> • Does the red marking on the thermostatic cartridge(5) keep align with the marking on positiong ring(2), and positioning rod(1H) in the handle • Is there dust with filter net of thermostatic cartridge (5) • Is there damage or dirt within the O-rings of the thermostatic cartridge (5) • Is there debris inside the non-return valve(17)
Only cold water	<ul style="list-style-type: none"> • Does the red marking on the thermostatic cartridge(5) keep align with the marking on positiong ring(2), and positioning rod(1H) in the handle • Is there dust with filter net of thermostatic cartridge (5) • Is there damage or dirt within the O-rings of the thermostatic cartridge (5) • Is there debris inside the non-return valve(17)

Maintenance



Replacement of Cartridge

Before replacement please turn off the water supply. Rotate the button(11C) and take it off, loose the grub screw(11B) by allen key and then take out the handle(11A). Remove the positioning ring(11D), plastic ring(11E). Loose the grub screw(11G) and take out the thermostatic cartridge(11F).

Clean the cartridge or replace it with a new one.

Install the thermostatic cartridge by reverse steps. Take note the red marking on the thermostatic cartridge, should keep align with the marking on positioning ring, and positioning rod in the handle.

Cleaning

To maintain the surface of your product, wipe with a clean damp cloth and wipe dry, do not use any abrasive cleaning agents or materials. If any harsh chemicals come into contact with the surface of the product, rinse and wipe clean immediately.

For more information

- visit betterbathrooms.com
- email customerservices@buyitdirect.co.uk
- call 03303903062
- write to Trident Business Park, Neptune Way, Huddersfield, HD2 1UA

**better
bathrooms**

Part of the BuyItDirect Group